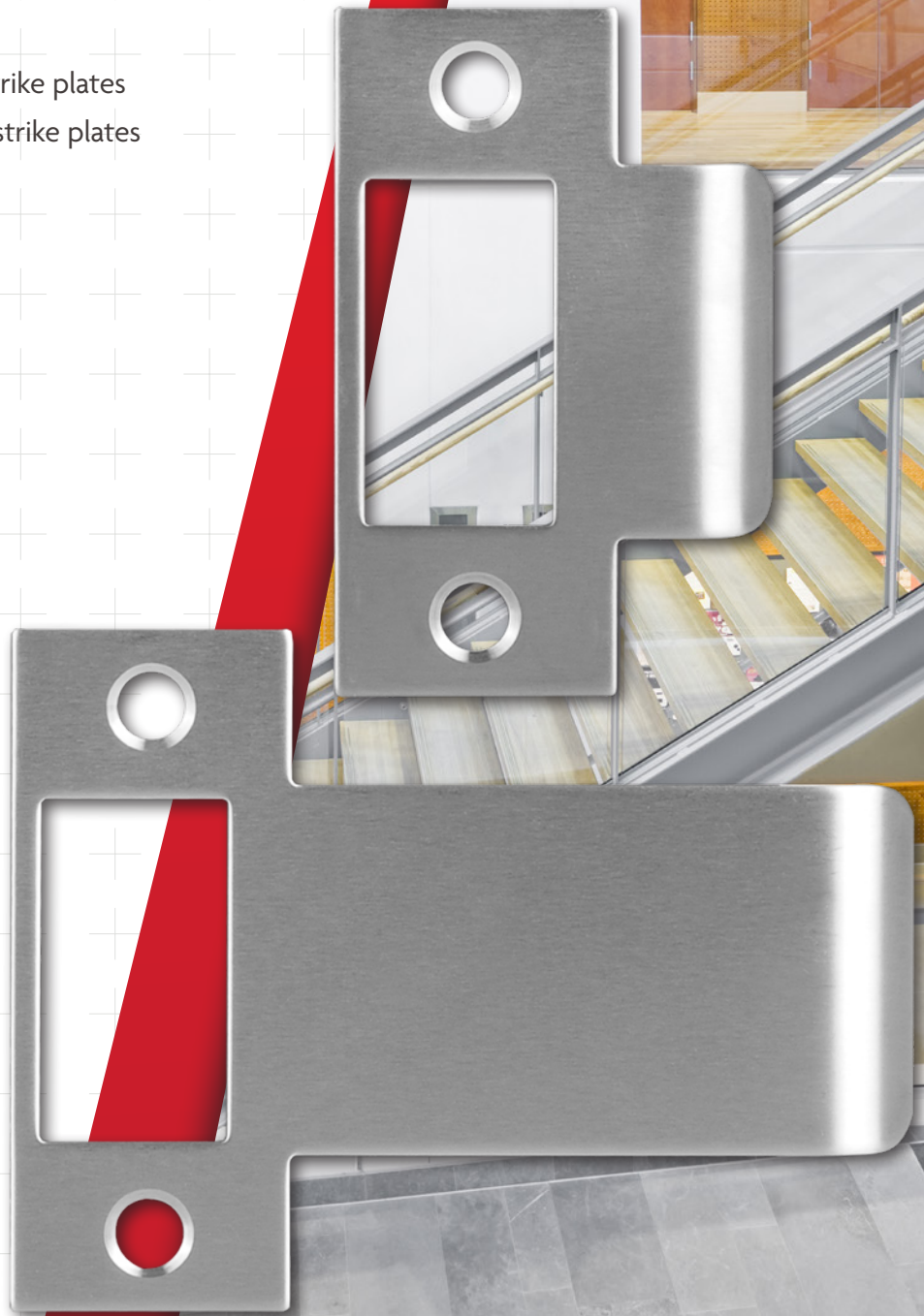


STRIKE PLATES

STANDARD AND EXTENDED

- Made from 1.5mm 304 stainless steel
- Standard 25.4mm and 32mm lipped strike plates
- Extended 40mm up to 80mm lipped strike plates
- Timber fixing screws supplied



STRIKE PLATES

SPECIFICATIONS

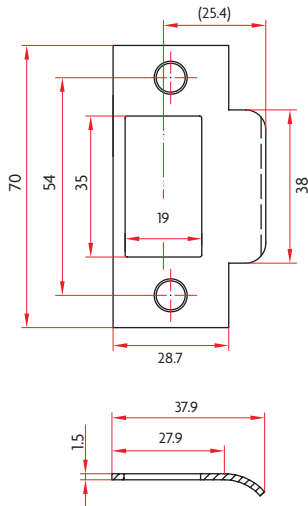
Often strike plates are misplaced or don't suit the frame detail required. Sabre has developed a range of standard and extended lipped strike plates to make it more cost effective to replace or having a strike that may need to be custom made. The range includes standard lip sizes

STRIKE PLATE 25.4MM

SAB-SP25.4MM-SSS

- Max Frame Depth 27.9mm

Fixings: 2x, 8gx20mm Timber Screws.



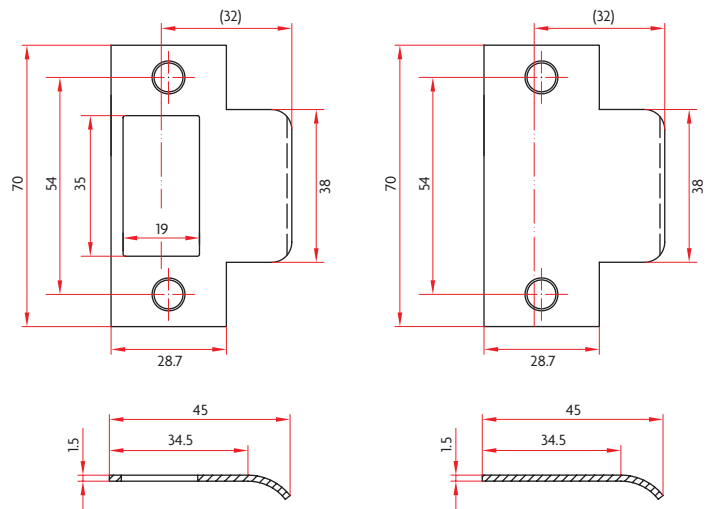
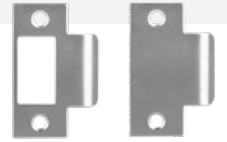
STRIKE PLATE 32MM

SAB-SP32MM-SSS

SAB-SP32MM-B-SSS (BLANK)

- Max Frame Depth 34.5mm

Fixings: 2x, 8gx20mm Timber Screws.

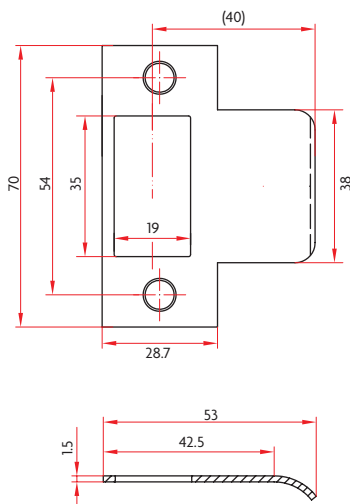
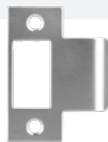


STRIKE PLATE 40MM

SAB-SP40MM-SSS

- Max Frame Depth 42.5mm

Fixings: 2x, 8gx20mm Timber Screws.

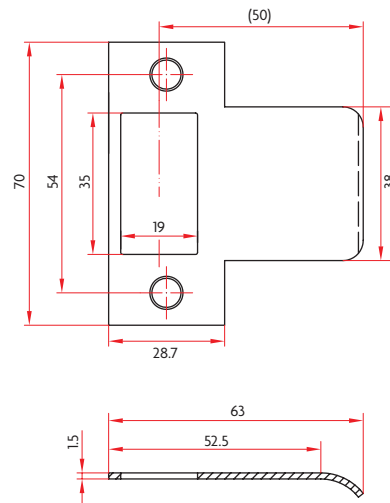
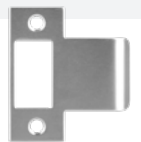


STRIKE PLATE 50MM

SAB-SP50MM-SSS

- Max Frame Depth 52.5mm

Fixings: 2x, 8gx20mm Timber Screws.



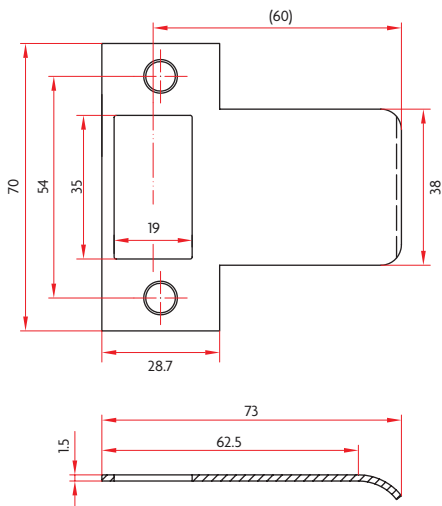
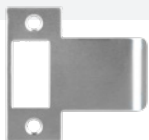
STRIKE PLATES

STRIKE PLATE 60MM

SAB-SP60MM-SSS

- Max Frame Depth 62.5mm

Fixings: 2x, 8gx20mm Timber Screws.

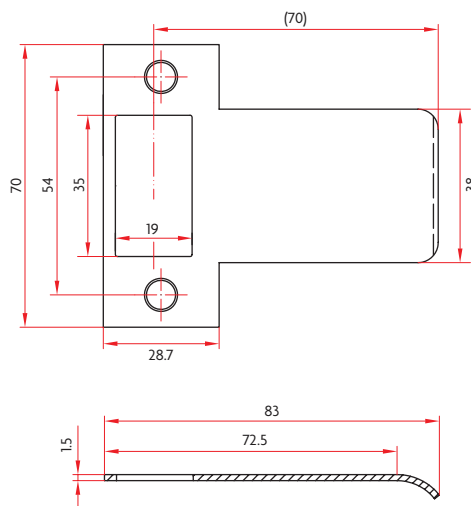


STRIKE PLATE 70MM

SAB-SP70MM-SSS

- Max Frame Depth 72.5mm

Fixings: 2x, 8gx20mm Timber Screws.

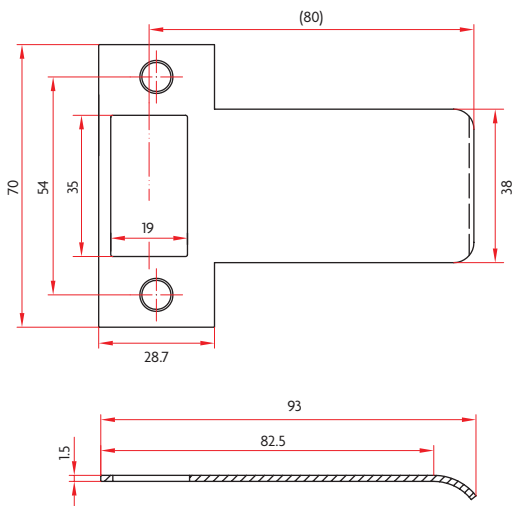
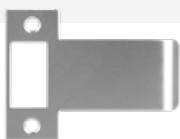


STRIKE PLATE 80MM

SAB-SP80MM-SSS

- Max Frame Depth 82.5mm

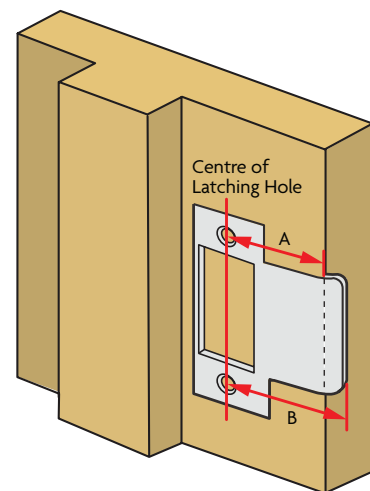
Fixings: 2x, 8gx20mm Timber Screws.



RECOMMENDED STRIKE PLATE LIP GAUGE

Measure from centre of strike plate latching hole to edge of frame (A) to determine strike size (B).

(A)	(B)
15.4	25.4
21.5	32
29.5	40
39.5	50
49.5	60
59.5	70
69.5	80



RELATED PRODUCTS



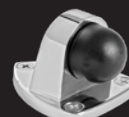
300 Series



400 Series



500 Series



Door Stops